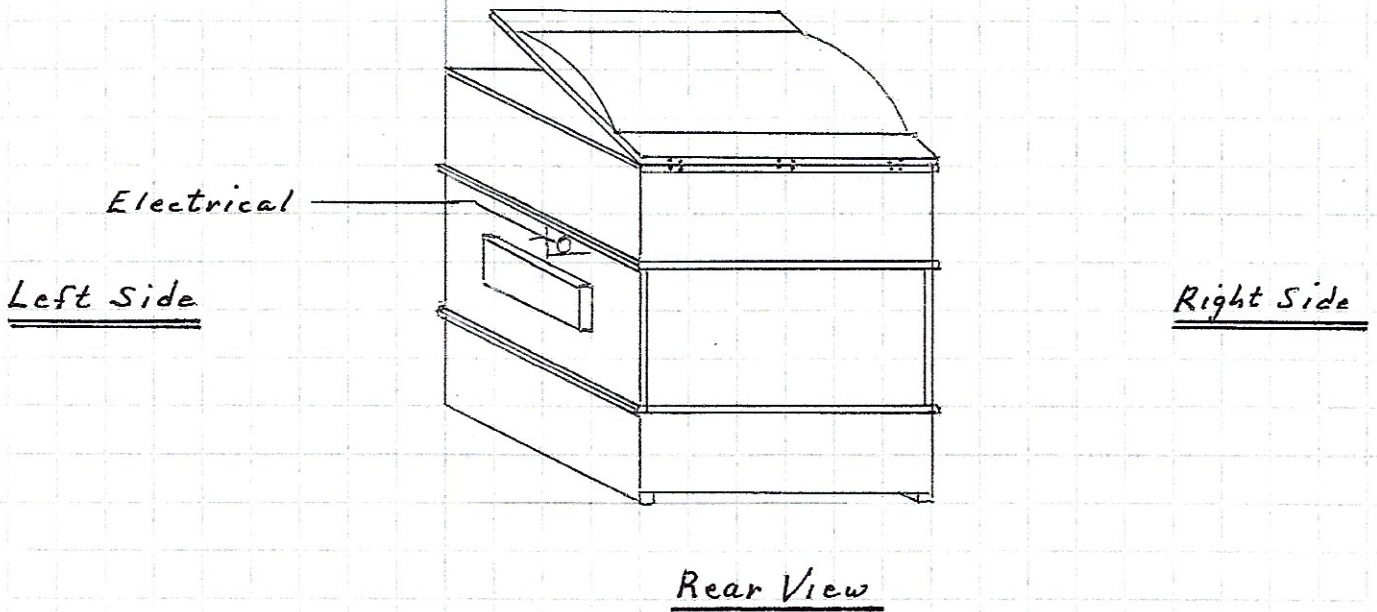
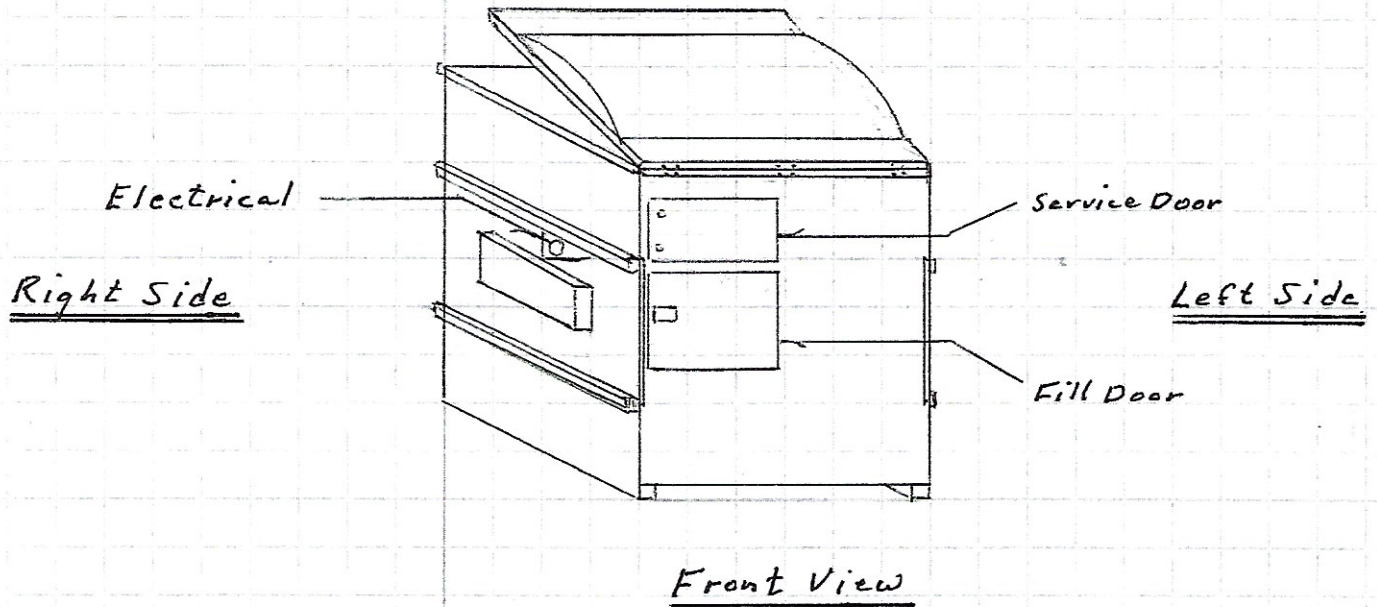


BinPak Nomenclature

Front Empty "Lid Assembly" * *



Rear Empty "Lid Assembly" *



* Recommended ✓

** Optional